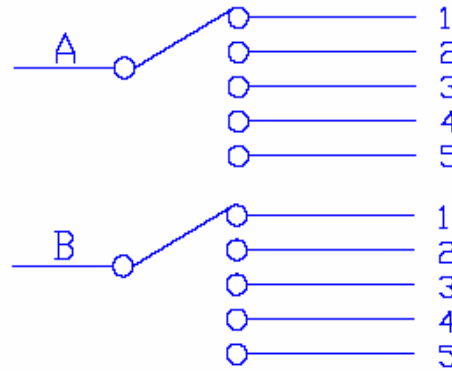
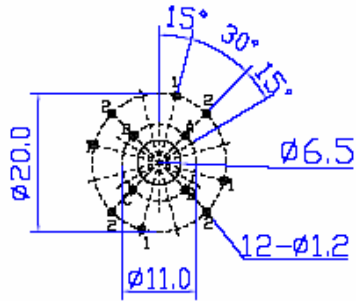


SHAFT SHOWN IN
FULL C.C.W. POSITION



未指定容许±尺寸之公差	
10以下	±0.3
10~100	±0.5
100以上	±0.8
角 度	±5°

④					Unit	Scale	深圳市神杰科技有限公司 SHENZHEN SAJET TECHNOLOGY.CO.,LTD				
③					mm	1:1					
②				Designed	Checked	Approved	Dwg.Title	SR25-1-2-5-K15P 外形图			
①				方长光	周平	刘明举					
Zust		Date	Name				Dwg.Name				
							No Allow ± Number				
Material	Card Number	Disposal		Date Graphics		10Below±0.1	10~100±0.2	100Above±0.5	Angle±0.5°		

波段开关规格书

SPECIFICATIONS

型号名称(MODEL NAME): SR25-1-2-5-K15P

一 构造 CONSTRUCTION

形状, 寸法, 依照图面规定

SHARE AND DIMENSIONS SUBJECT TO ATTACHED CHART REGULATION.

外观: 各部件应良好无锈蚀、裂痕、电镀不良现象

APPERANCE: EVERY PART SHOULD BE FINISHED NOT TO EXIST RUST FLAW CRACK AND PLATING

二 机械的性能 (Mechanical characteristics)

ITEMS	SPECIFICATION
脱出力: Detent torque	<u>0.3 ± 0.1</u> kg/cm.
回转止动强度: Rotational stopper strength	<u>10</u> kg(1.0Minute)
端子强度: Staking of terminals	将端子顶部沿各方向施加 1KG 的力 1 分钟, 端子无摇动、脱落、端子破损等现象. WHEN <u>1.0</u> Kg IS/ARE WEIGHTED ON TOP OF TERMINAL IN EVERY DIRECTION FOR ONE(1) MINUTE, LOOSE STACKING OF TERMINAL AND DAMAGE ON STATOR BOARD SHOULD NOT EXIST.

三 电气的性能 (Electrical characteristics)

ITEMS	SPECIFICATION
接触阻抗: Contact resistance	DC 5V. 1A. 1KHz(2mV)以下测定 <u>30</u> mΩ 以下 LESS THAN <u>30</u> MΩ ON DC 5V. 1A. MEASURED BY VOLTAGE DECREASING METHOD OR MEASURED BY 1 KHz. LESS THAN 2mV.
绝缘阻抗: Insulation resistance	在 DC <u>500</u> V. (1 分钟±5 秒)条件下绝缘阻抗大于 100MΩ MORE THAN <u>100</u> MΩ ON DC <u>500</u> V.(1 minute ±5seconds)
耐电压: Withstand voltage	输入 AC 500V(50~60HZ)电压 1 分钟, 没有绝缘破坏等异常. AC. <u>500</u> V(50~60HZ) FOR 1 MINUTE.
定格电力: Ratings power	AC <u>125</u> V <u>0.3</u> A
耐湿性: Humidity test	置放于温度 40±2℃, 湿度 90~95%内 48 小时后取出水滴, 并于 30 分钟内, 测定绝缘阻抗为 10 MΩ 以上. INSULATION RESISTANCE IS <u>10</u> MΩ OVER MEASURED AFTER <u>30</u> MINUTE(S) AFTER REMAINING SWITCH FOR <u>48</u> HOUR(S) AT THE CONDITION OF TEMPERATURE 40±2℃
使用环境温度: Usage environment temperature	-10℃~+60℃

焊锡条件: Soldering time	电烙铁温度 260℃以下，时间维持 3 秒以内，一次性完成。 WITHIN SOLDERING TEMPERATURE 260℃ NOT OVER 3 SECONDS AND SOLDERING IS ONE TIME ONLY.			
四 寿命试验 (Lift test) AFTER 10,000 CYCLES AT THE RATE OF 20-25 CYCLES/MIN				
负荷 LOAD	无负荷 NO LOAD.			
接触抵抗 Contact resistance:	小于 30 mΩ LESS THAN <u>30</u> mΩ.			
实验后脱出力 Operation/detent torque:	在规定值的+10%-30%之内 No.3-1 SHALL BE SATISFIED, WITHIN +10%-30% OF INITIAL VALUE			
深圳市神杰科技有限公司 SHEN ZHEN SAJET TECHNOLOGY.CO.,LTD		制作 Prepared	审核 Checked	核准 Approved
		胡小兰	周平	刘明举